

Ling 566
Nov 2, 2010
Lexical Rules

Overview

- How lexical rules fit in
- Three types of lexical rules, constraints
- Example: Plural noun lexical rule
- Advice on writing lexical rules
- Constant lexemes
- ARG-ST & ARP
- The feature FORM

Lexical Types & Lexical Rules

- Lexemes capture the similarities among *run*, *runs*, *running*, and *ran*
- The lexical type hierarchy captures the similarities among *run*, *sleep*, and *laugh*, among those and other verbs like *devour* and *hand*, and among those and other words like *book*.
- Lexical rules capture the similarities among *runs*, *sleeps*, *devours*, *hands*, ...

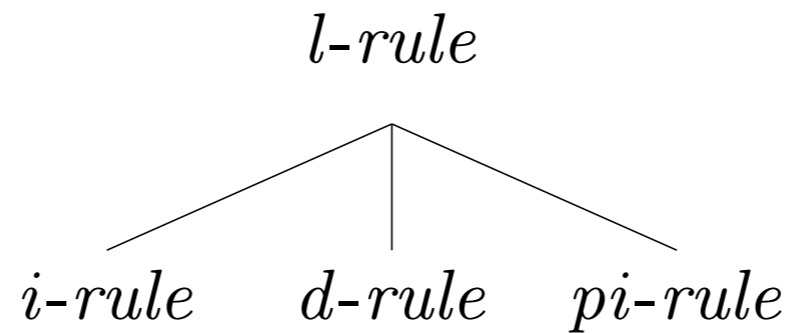
Parsimony & Plausibility

- Lexical rules capture **productive** generalizations.
- There may be some ‘precompiling’ going on as well.

Three Kinds of Lexical Rules

- Inflectional: *lexeme to word*
Examples?
- Derivational: *lexeme to lexeme*
Examples?
- Post-Inflectional: *word to word*
(Chapters 11, 13, 14)

Three Subtypes of *l-rule*

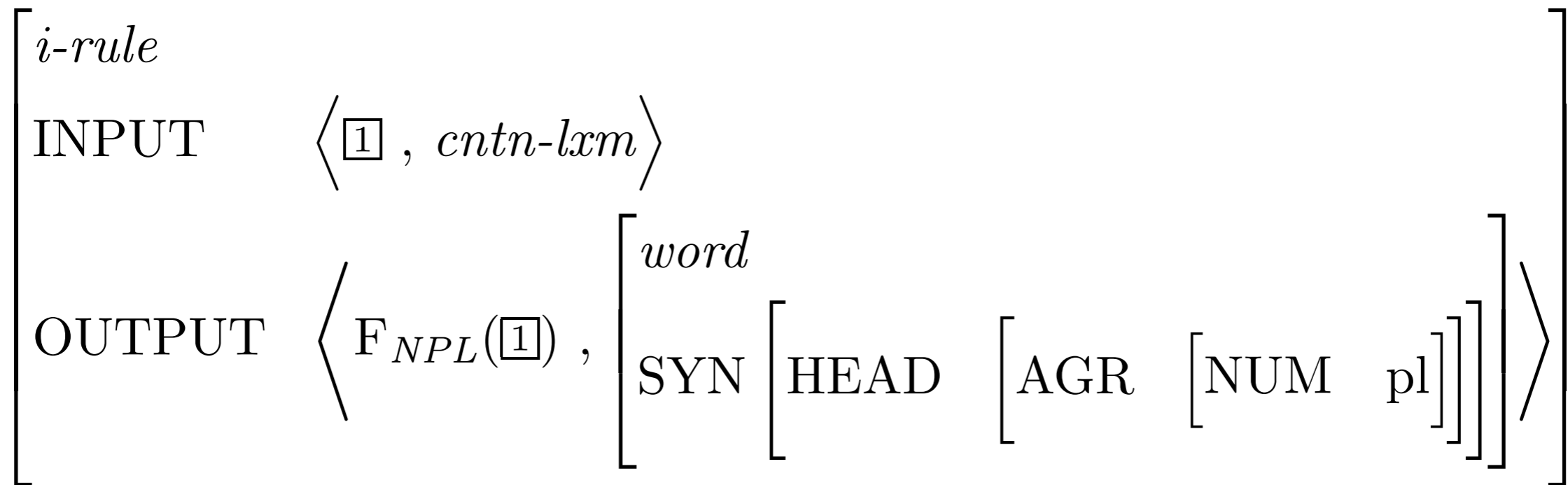


$$l\text{-rule} : \left[\begin{array}{l} \text{INPUT} \quad l\text{-sequence} \left\langle X, [\text{SEM} \quad / \boxed{2}] \right\rangle \\ \text{OUTPUT} \quad l\text{-sequence} \left\langle Y, [\text{SEM} \quad / \boxed{2}] \right\rangle \end{array} \right]$$

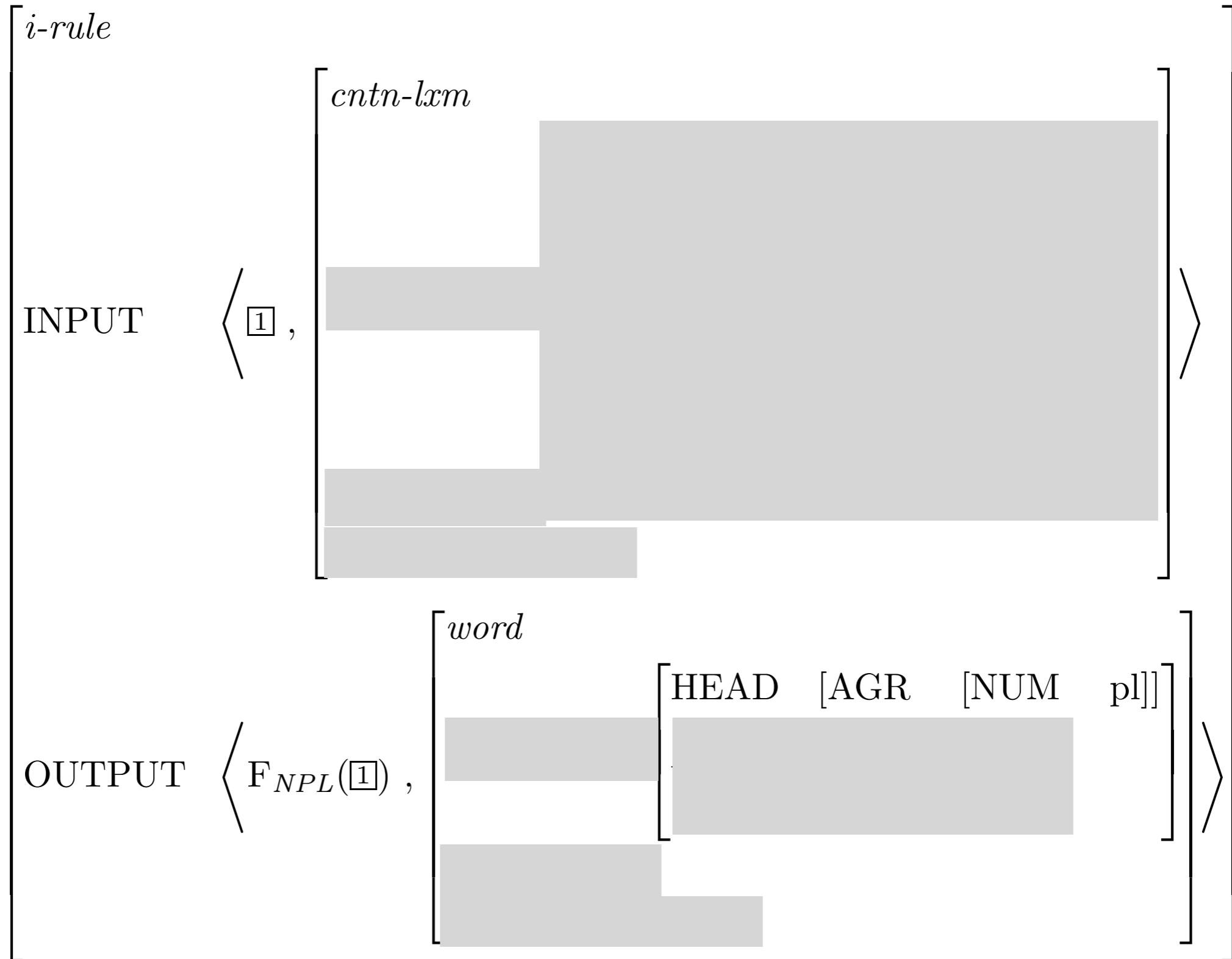
$$i\text{-rule} : \left[\begin{array}{l} \text{INPUT} \quad \left\langle X, \left[\begin{array}{l} \textit{lexeme} \\ \text{SYN} \quad \boxed{3} \\ \text{ARG-ST} \quad \boxed{A} \end{array} \right] \right\rangle \\ \text{OUTPUT} \quad \left\langle Y, \left[\begin{array}{l} \textit{word} \\ \text{SYN} \quad \boxed{3} \\ \text{ARG-ST} \quad \boxed{A} \end{array} \right] \right\rangle \end{array} \right]$$

$$d\text{-rule} : \left[\begin{array}{l} \text{INPUT} \quad \left\langle X, \left[\begin{array}{l} \textit{lexeme} \\ \text{SYN} \quad / \boxed{3} \end{array} \right] \right\rangle \\ \text{OUTPUT} \quad \left\langle Y, \left[\begin{array}{l} \textit{lexeme} \\ \text{SYN} \quad / \boxed{3} \end{array} \right] \right\rangle \end{array} \right]$$

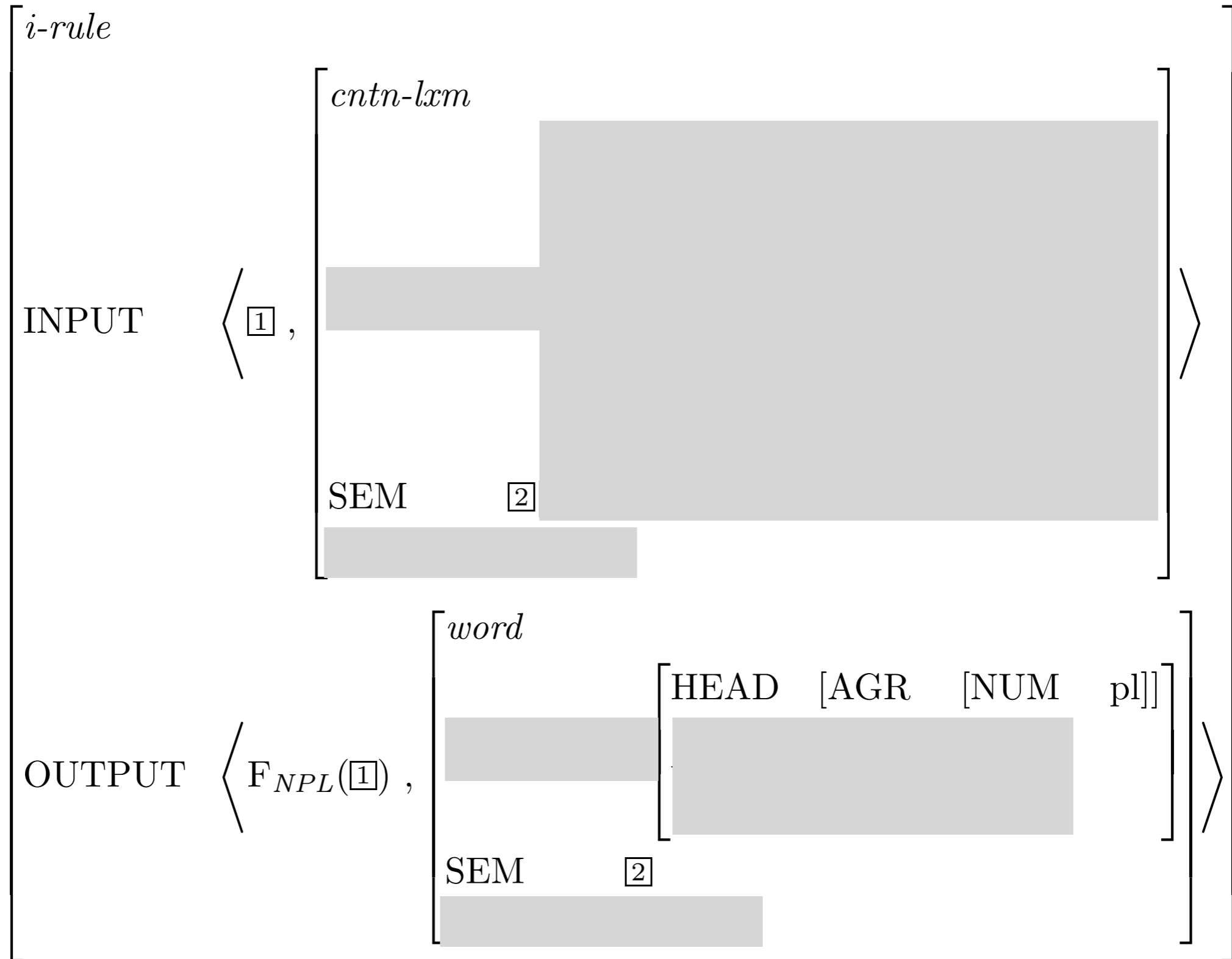
Plural Noun LR



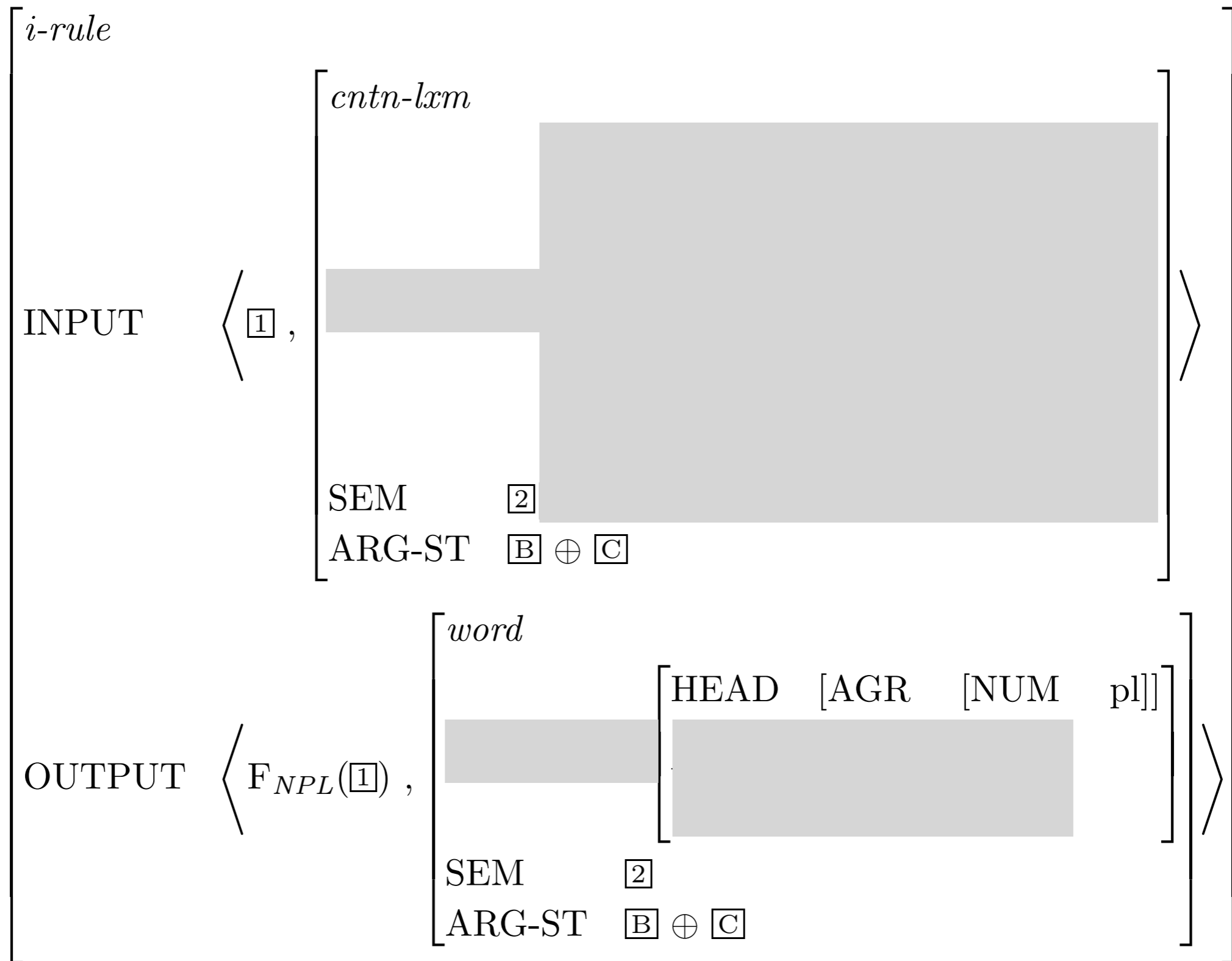
Plural Noun LR with Inherited Constraints



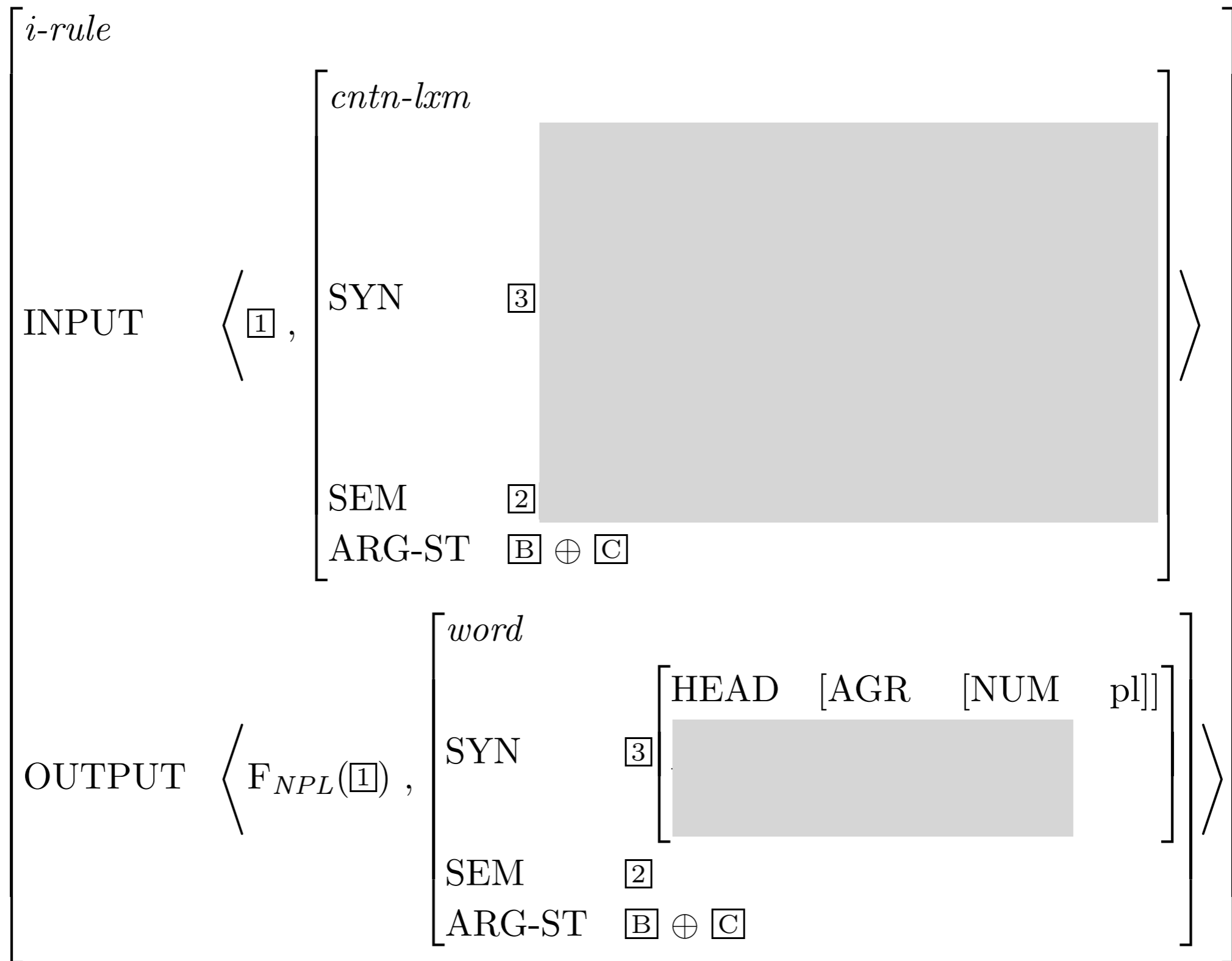
Plural Noun LR with Inherited Constraints



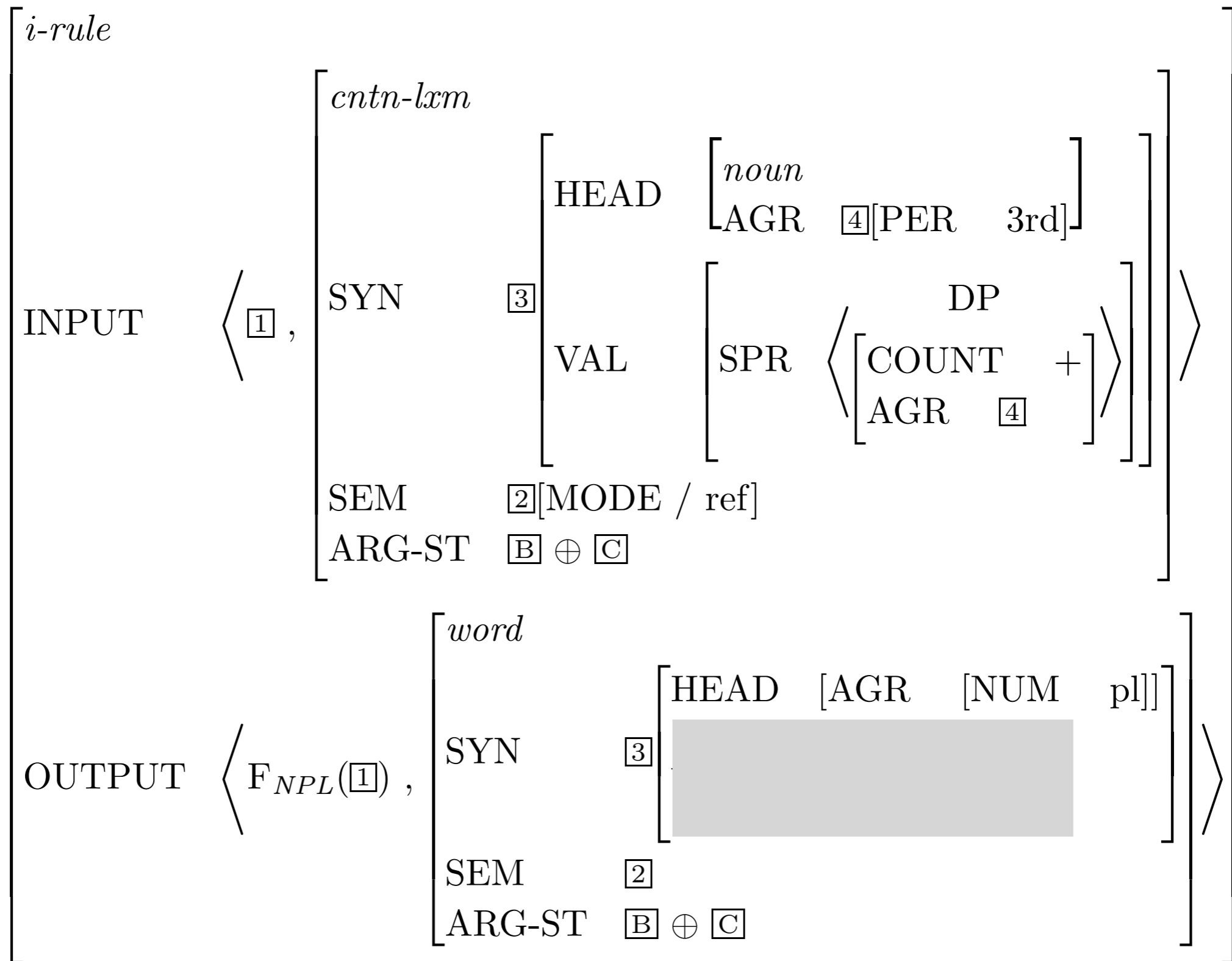
Plural Noun LR with Inherited Constraints



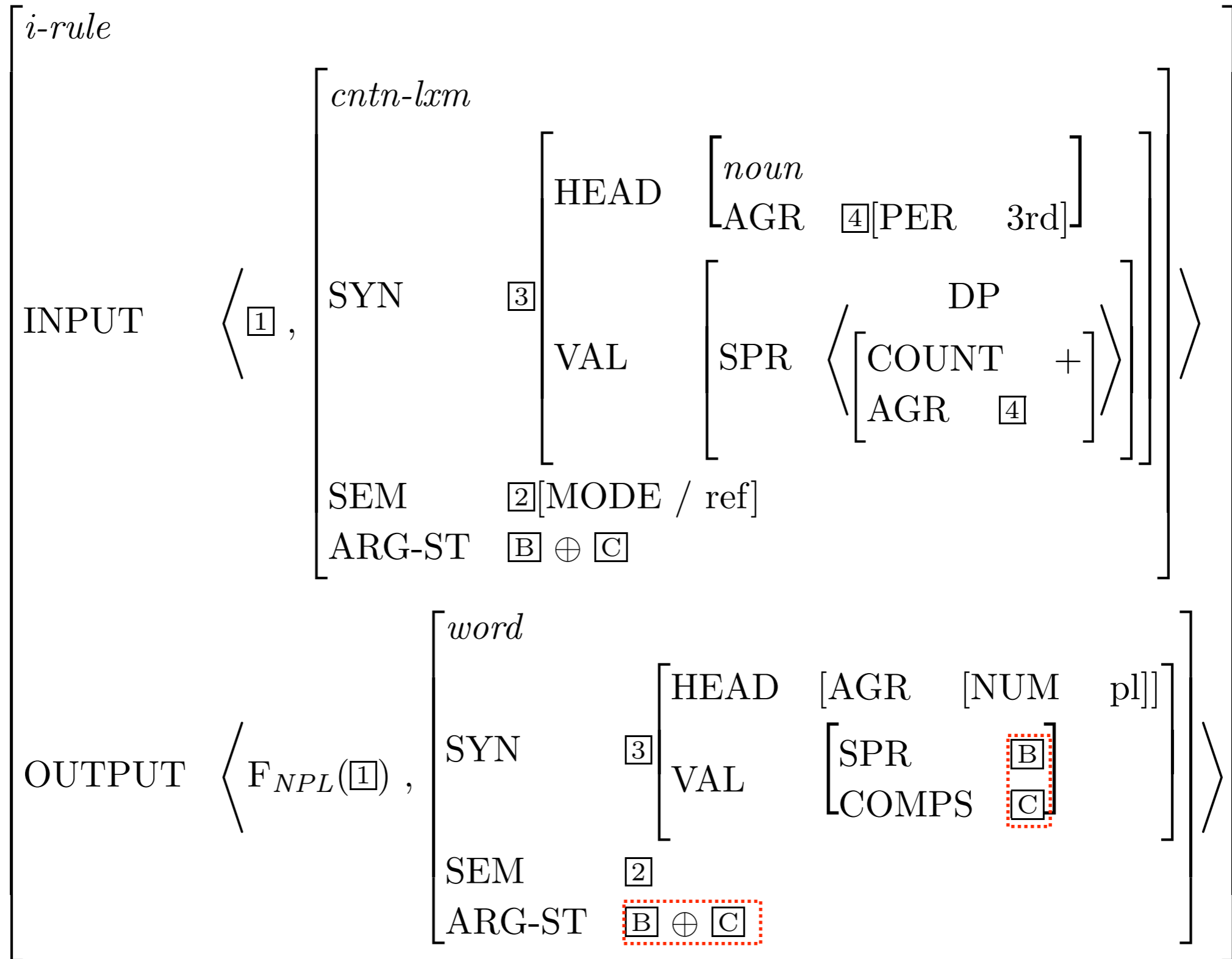
Plural Noun LR with Inherited Constraints



Plural Noun LR with Inherited Constraints



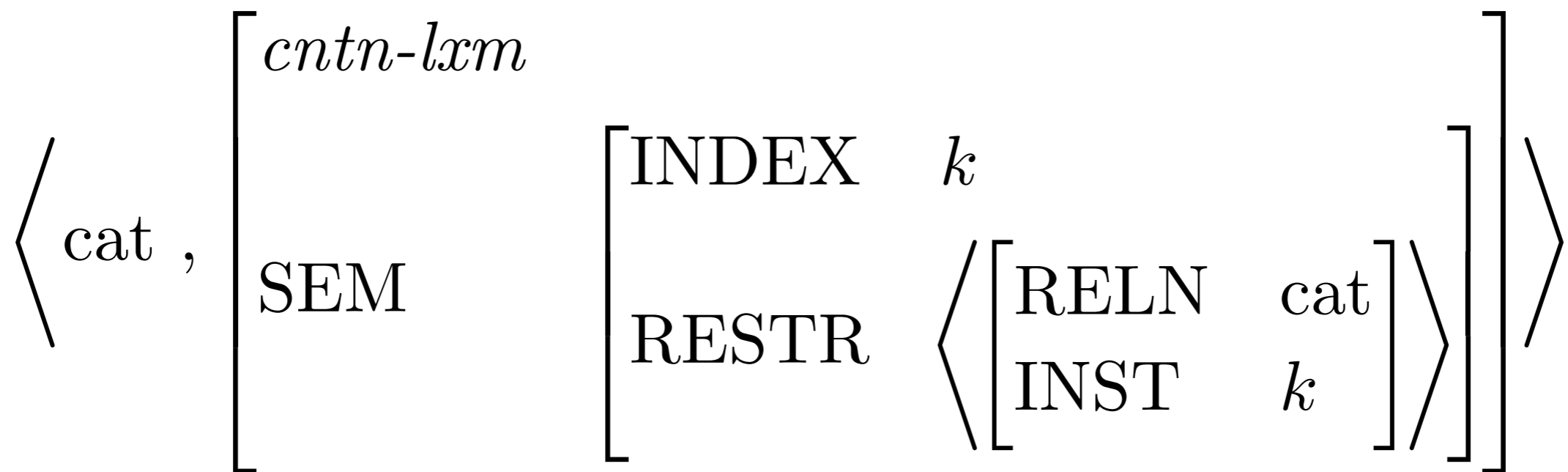
Plural Noun LR with Inherited Constraints



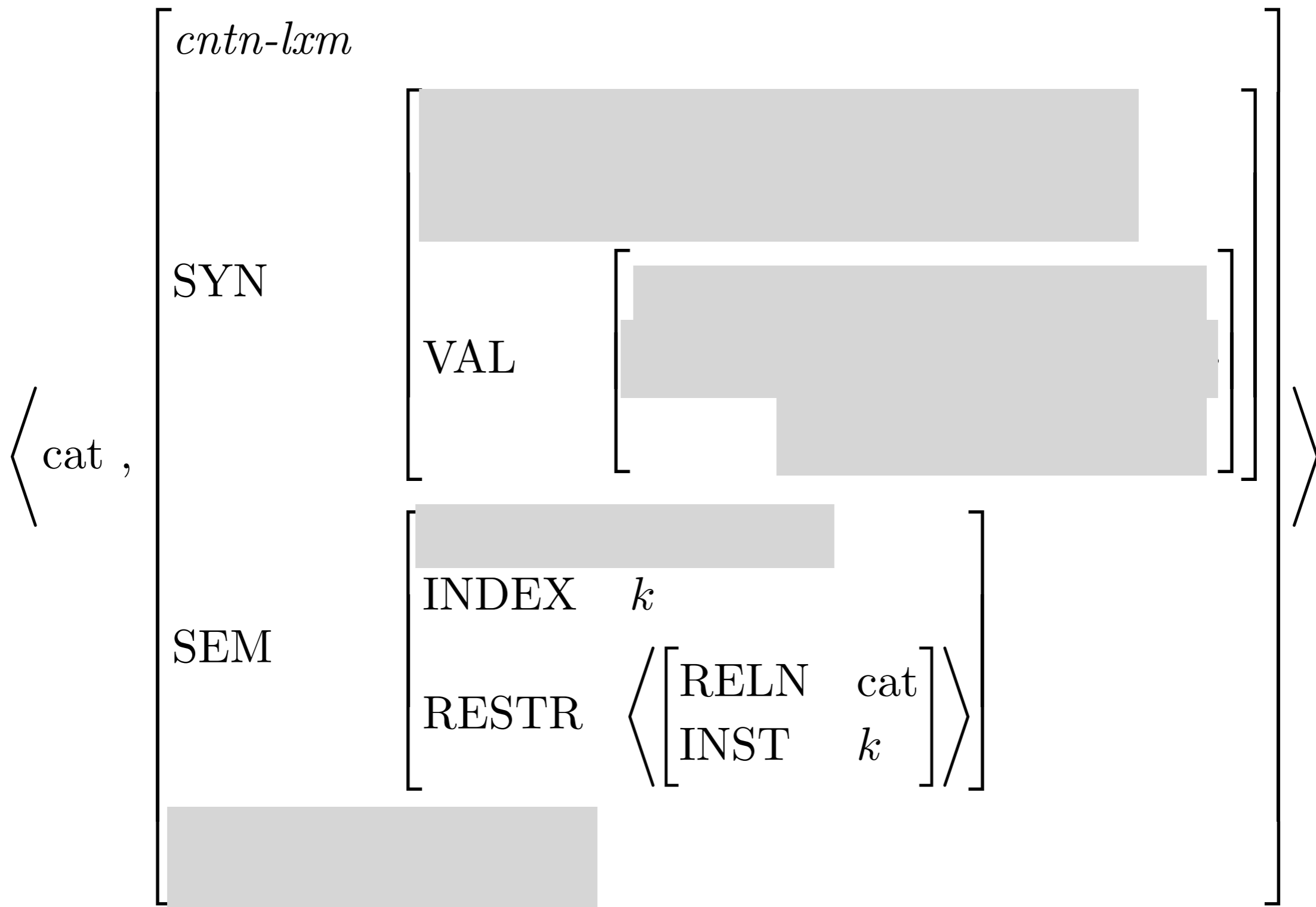
Practicalities - Applying Lexical Rules

- INPUT is a family of lexical sequences.
- OUTPUT is another family of lexical sequences.
 - ...usually a smaller family
 - ...usually a disjoint one
- The only differences between the families are those stipulated in the rule (or the rule's type).
- Similarities are handled by the constraints on *l-rule* and its subtypes.
- If we've written the LRs correctly, nothing is left underconstrained.

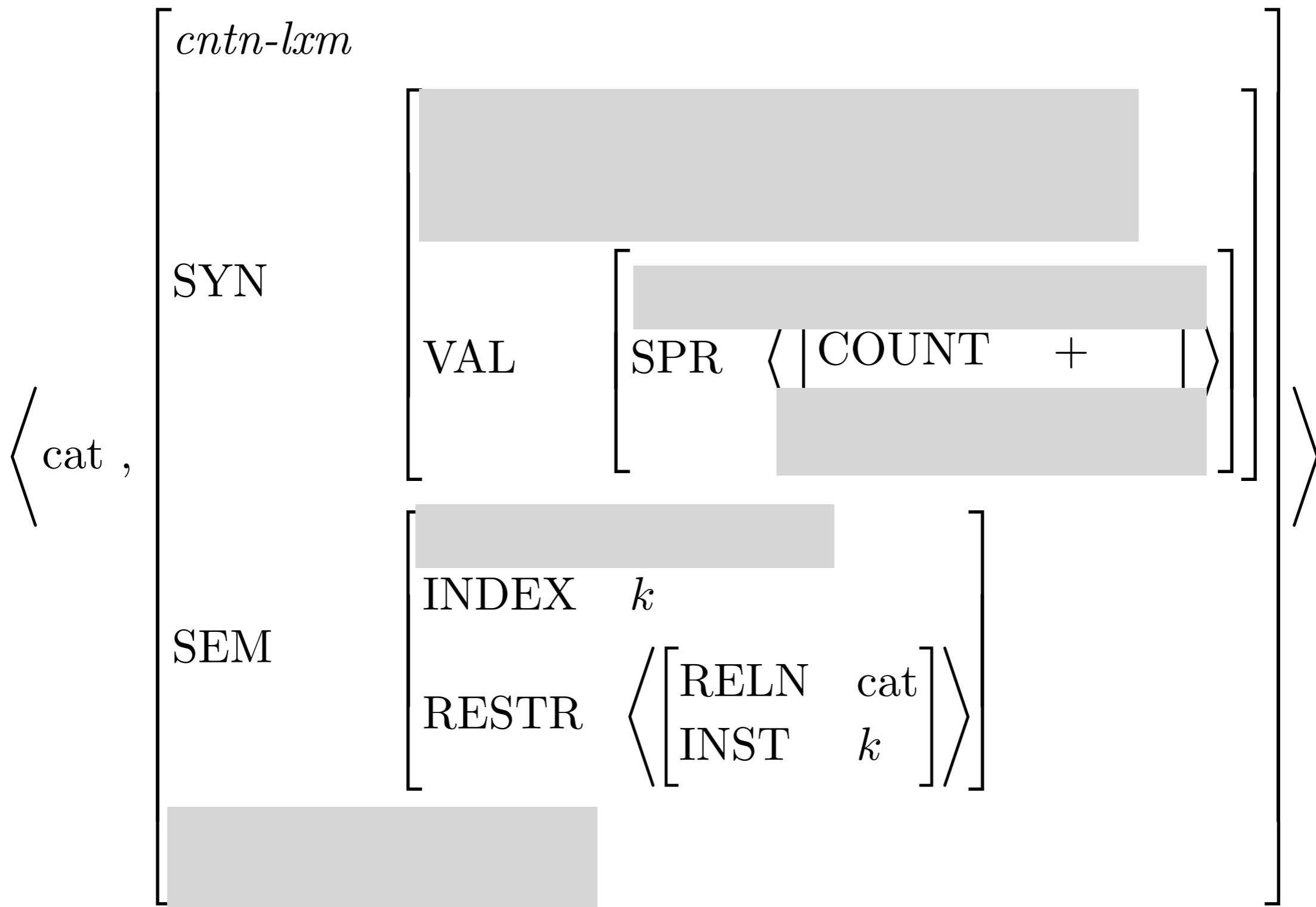
Example: Lexical Entry for *cat*



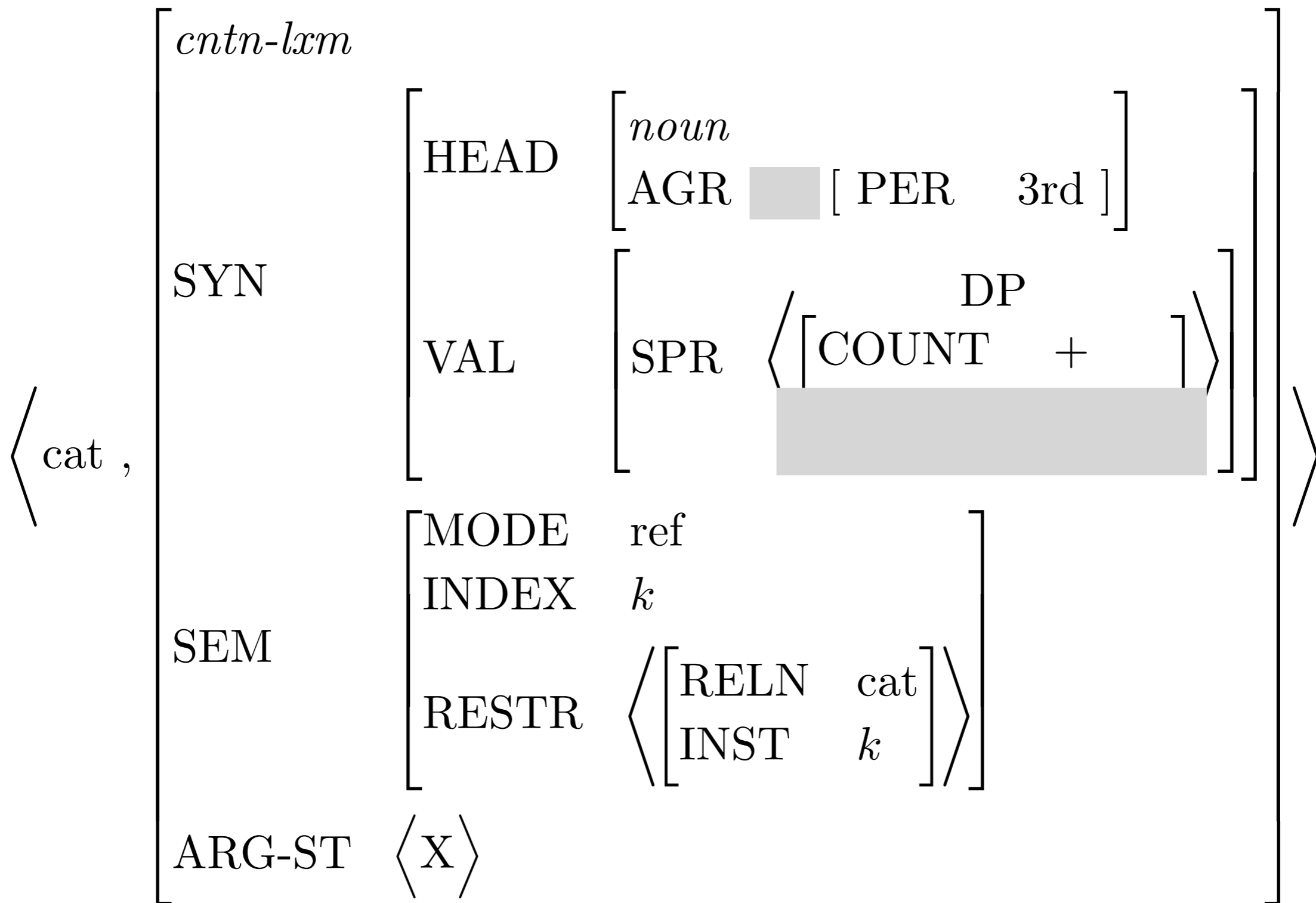
Example: *cat*, with inheritance



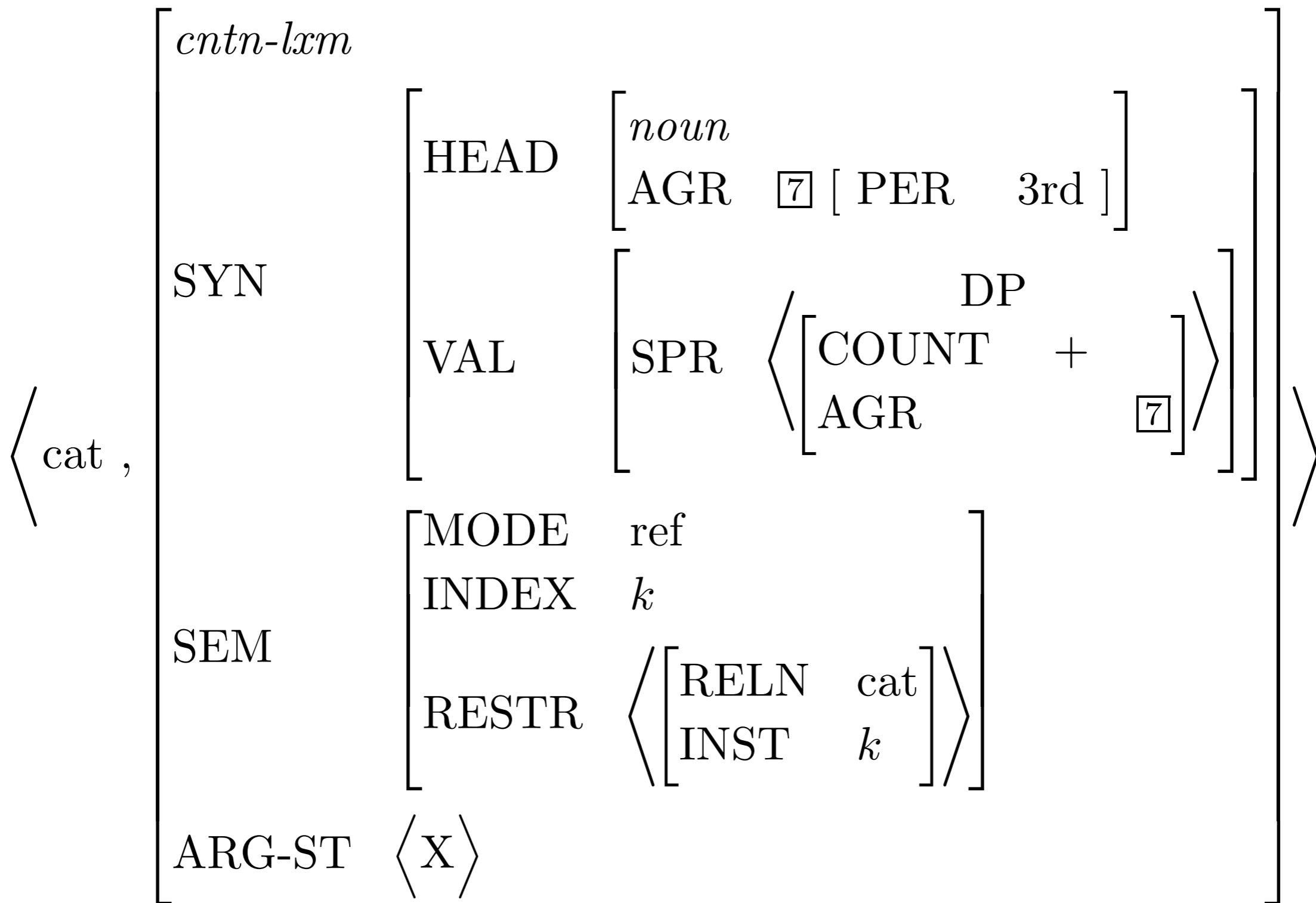
Example: *cat*, with inheritance



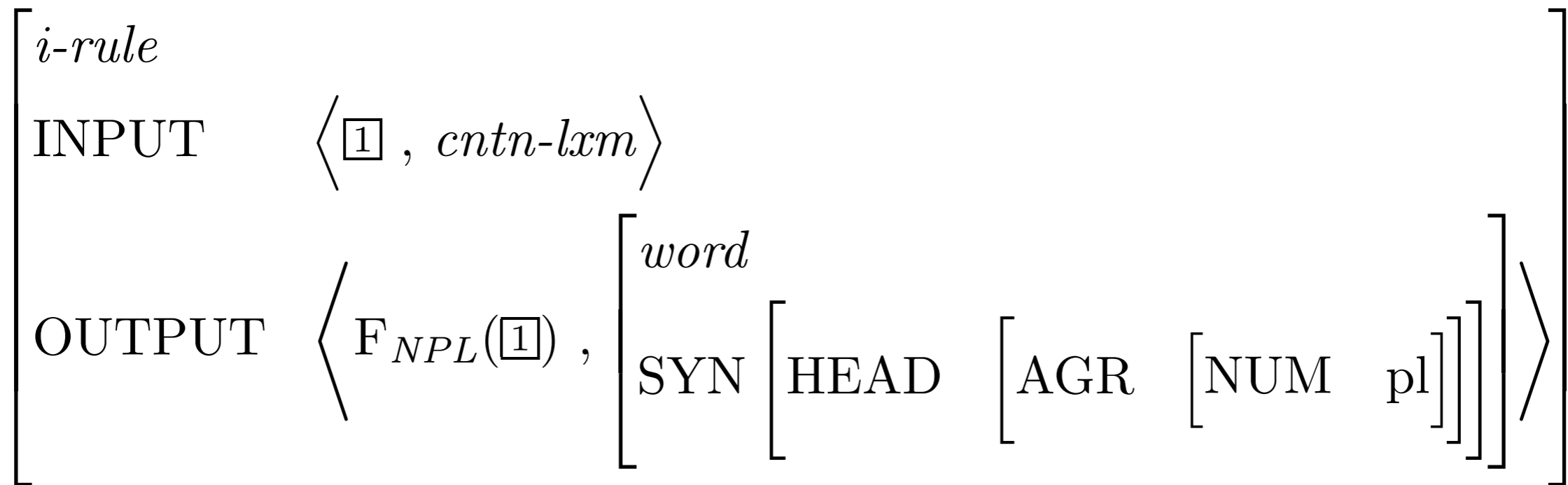
Example: *cat*, with inheritance



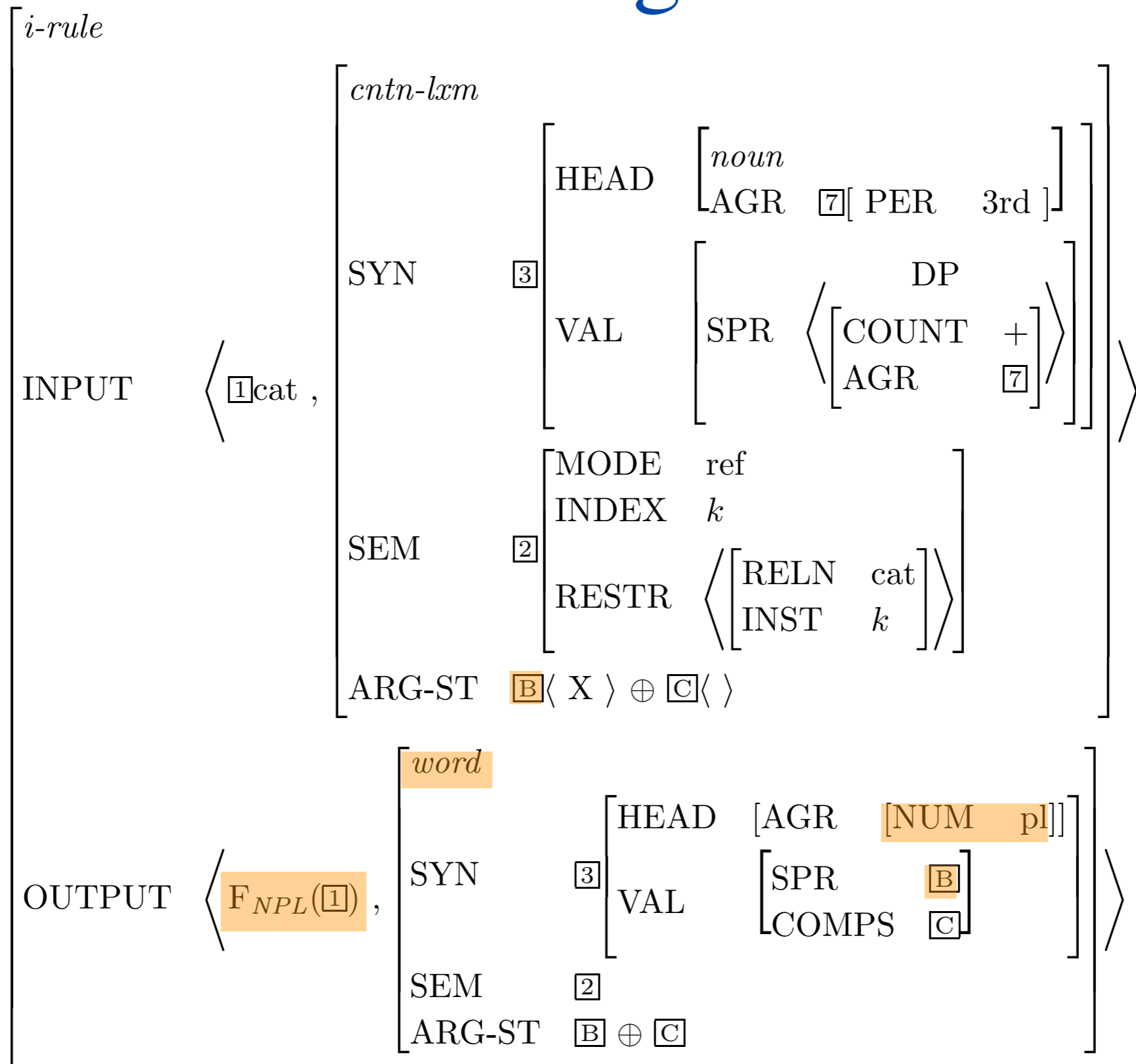
Example: *cat*, with inheritance



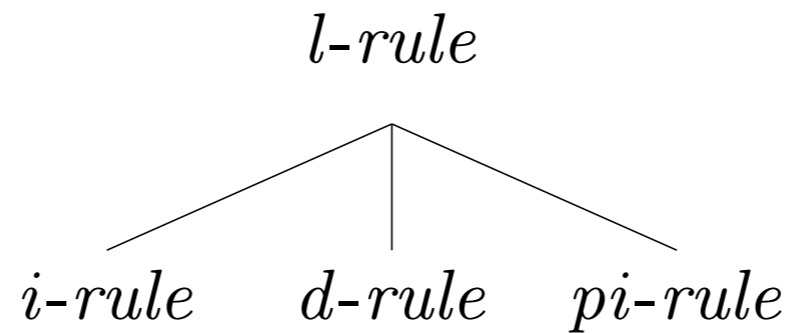
Plural Noun LR



Licensing *cats*



Three Subtypes of *l-rule*

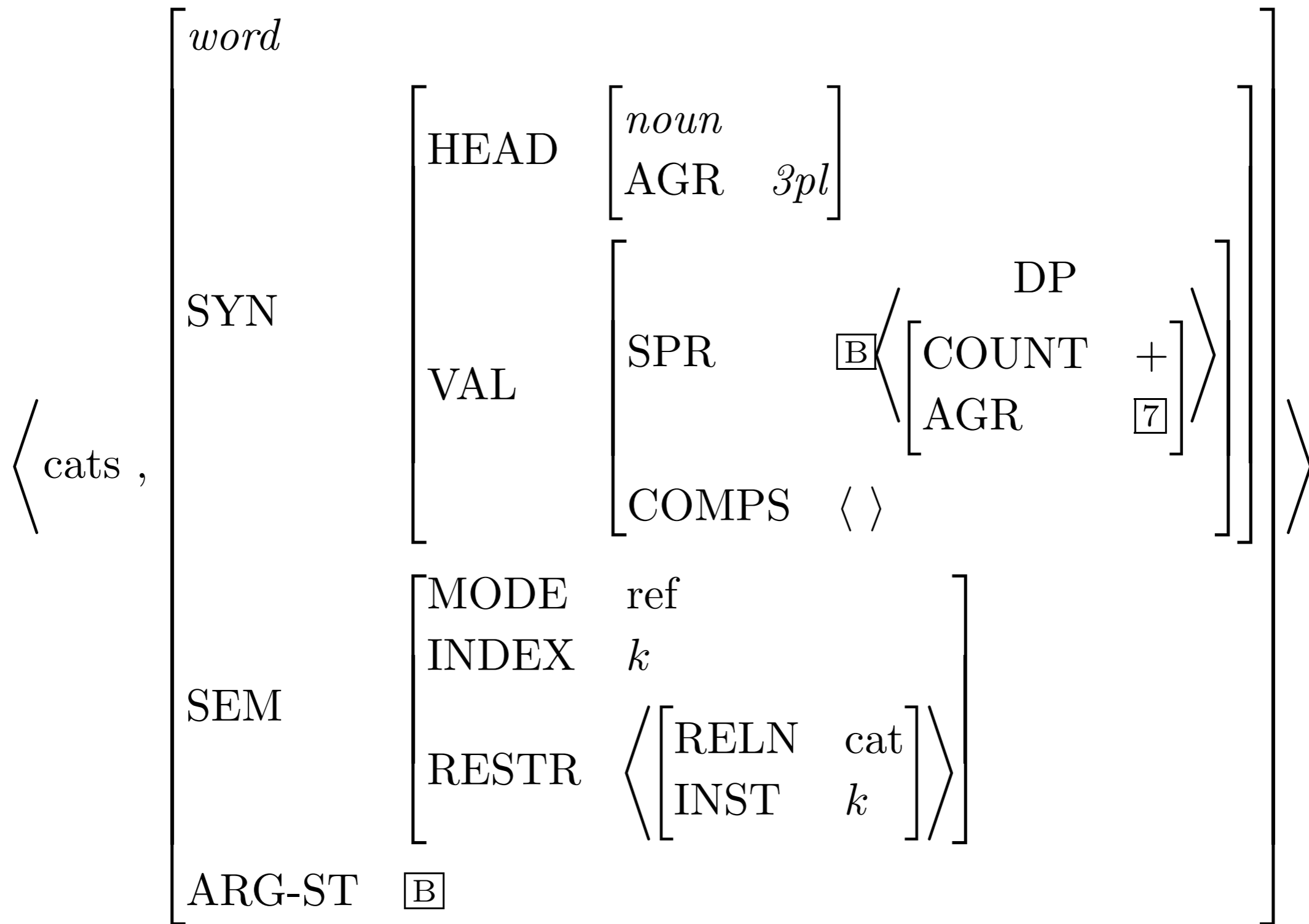


$$l\text{-rule} : \left[\begin{array}{l} \text{INPUT} \quad l\text{-sequence} \left\langle X, [\text{SEM} \quad / \boxed{2}] \right\rangle \\ \text{OUTPUT} \quad l\text{-sequence} \left\langle Y, [\text{SEM} \quad / \boxed{2}] \right\rangle \end{array} \right]$$

$$i\text{-rule} : \left[\begin{array}{l} \text{INPUT} \quad \left\langle X, \left[\begin{array}{l} \textit{lexeme} \\ \text{SYN} \quad \boxed{3} \\ \text{ARG-ST} \quad \boxed{A} \end{array} \right] \right\rangle \\ \text{OUTPUT} \quad \left\langle Y, \left[\begin{array}{l} \textit{word} \\ \text{SYN} \quad \boxed{3} \\ \text{ARG-ST} \quad \boxed{A} \end{array} \right] \right\rangle \end{array} \right]$$

$$d\text{-rule} : \left[\begin{array}{l} \text{INPUT} \quad \left\langle X, \left[\begin{array}{l} \textit{lexeme} \\ \text{SYN} \quad / \boxed{3} \end{array} \right] \right\rangle \\ \text{OUTPUT} \quad \left\langle Y, \left[\begin{array}{l} \textit{lexeme} \\ \text{SYN} \quad / \boxed{3} \end{array} \right] \right\rangle \end{array} \right]$$

cats: The Lexical Sequence



Practicalities -- Writing Lexical Rules

- Determine the type of the LR.
- Determine the class of possible inputs.
- Determine what should change.
 - If INPUT and OUTPUT values are identified (by default or otherwise) and only OUTPUT value is mentioned, then...
information is added.

(Lexical sequences incompatible with that value are not possible inputs)
 - If INPUT and OUTPUT values are identified by default, but different values are given on the INPUT and OUTPUT of the rule, then...
information is changed.
 - If INPUT and OUTPUT values are identified by an inviolable constraint, but different values are given on the INPUT and OUTPUT of the rule, then...
there is no well-formed output

Constant lexemes

- What kinds of words are constant lexemes in our grammar?
- Why do we need a rule for these words?
- What would be an alternative analysis?

Constant Lexeme LR

$$\left[\begin{array}{l} i\text{-rule} \\ \text{INPUT} \quad \langle \boxed{1}, \text{const-lexm} \rangle \\ \text{OUTPUT} \quad \left[\text{FIRST} \quad \boxed{1} \right] \end{array} \right]$$

- What keeps this from applying to, say, verb lexemes?
- Why is this an *i-rule*?

ARG-ST & ARP

- Given the ARP, what do we need to specify about the valence properties of words?
- Why isn't the ARP a constraint on the type *lexeme*?

The Feature FORM

- Different inflected forms of verbs show up in different syntactic environments. Examples?
- These different forms are syntactically distinguished by the feature FORM, as assigned by lexical rules.
- FORM is also useful in our analyses of coordination and PP selection.

What rules these out?

- *Kim eat pizza.
- *Kim seems to eats pizza.
- *Dana helped Leslie pack and moved.
- *Kim relies for Sandy.
- *Dana walked and Kim.

Overview

- How lexical rules fit in
- Three types of lexical rules, constraints
- Example: Plural noun lexical rule
- Advice on writing lexical rules
- Constant lexemes
- ARG-ST & ARP
- The feature FORM